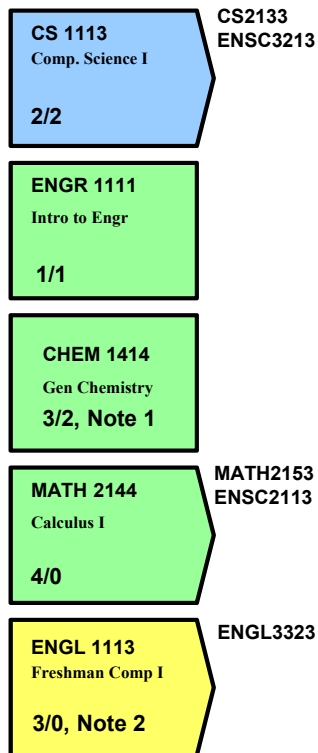


Electrical Engineering 2017-2018 Electrical Engineering Course Plan (EE) Pre-Professional School

Semester 1 15 Credit Hours

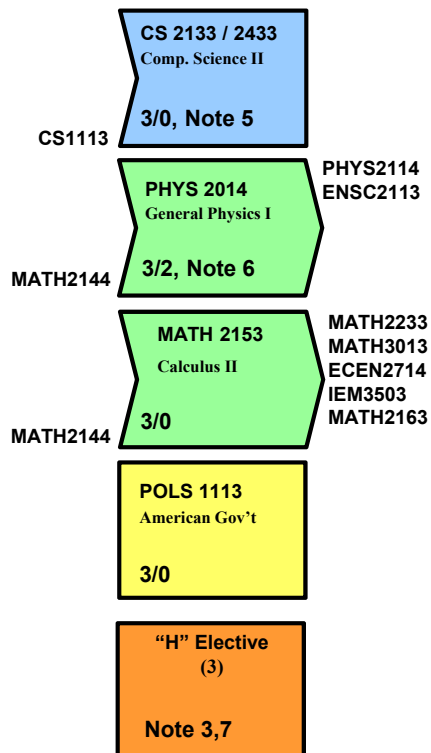


CS2133
ENSC3213

MATH2153
ENSC2113

ENGL3323

Semester 2 16 Credit Hours



CS1113

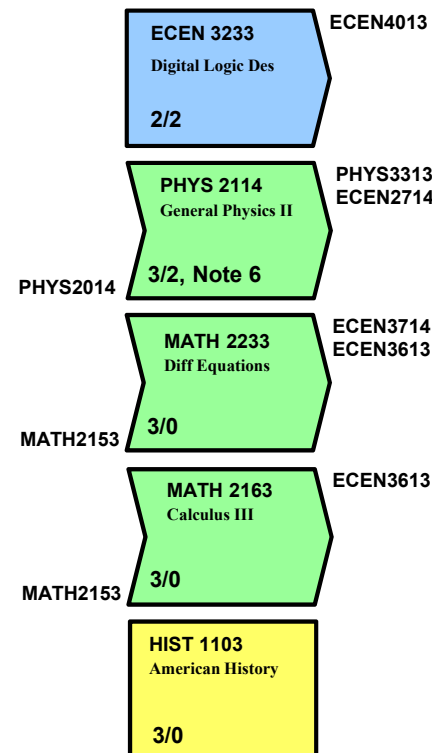
MATH2144

MATH2144

PHYS2114
ENSC2113

MATH2233
MATH3013
ECEN2714
IEM3503
MATH2163

Semester 3 16 Credit Hours



ECEN4013

PHYS2014

MATH2153

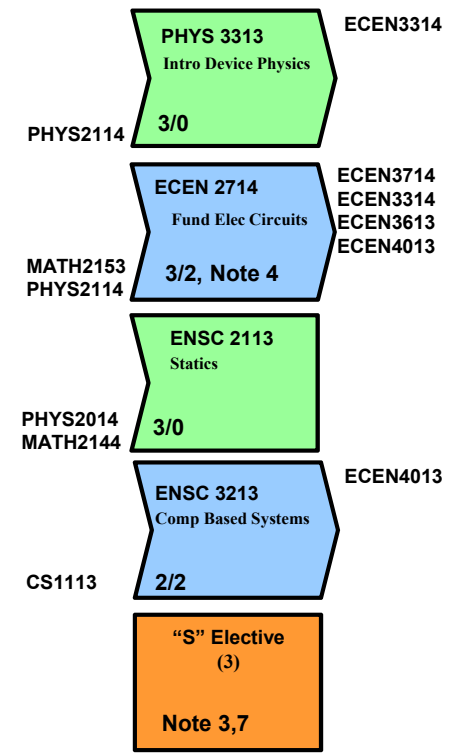
MATH2153

PHYS3313
ECEN2714

ECEN3714
ECEN3613

ECEN3613

Semester 4 16 Credit Hours



PHYS2114

MATH2153
PHYS2114

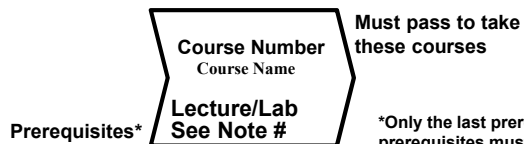
PHYS2014
MATH2144

CS1113

ECEN3314

ECEN3714
ECEN3314
ECEN3613
ECEN4013

ECEN4013



Must pass to take these courses

*Only the last prerequisite in a sequence is listed. All earlier prerequisites must also be satisfied before taking the course.



NOTES:

- 1) CHEM 1515 may be substituted for CHEM 1414 and should be taken by all students considering medical school.
- 2) Students with less than a "B" in ENGL 1113 or 1313 must take ENGL 1213 or 1413 prior to ENGL 3323.
- 3) A total of at least 6 hours designated "H" and 6 hours designated "S" is required. Of these, 3 hrs must meet the International Dimension "I" component and 3 hrs must meet the Diversity "D" component.
- 4) ECEN 2714 replaces ENSC 2613 effective fall 2018.
- 5) CS 2433 may be taken instead of CS 2133.
- 6) General Physics I and II are key prerequisites and should be taken at the earliest possible time.
- 7) Must be at least 3 SCH.
- 8) 3 SCH chosen from the Area (Prereq) Requirement on the EE Course Advising Sheet.
- 9) 9 SCH during the senior year to meet Area (Depth) Requirement on the EE Course Advising Sheet.
- 10) 6 SCH during the senior year to meet the Senior Breadth requirement on the EE Course Advising Sheet.
- 11) 3 SCH during the senior year to meet the Controlled Elective requirement on the EE Course Advising Sheet.

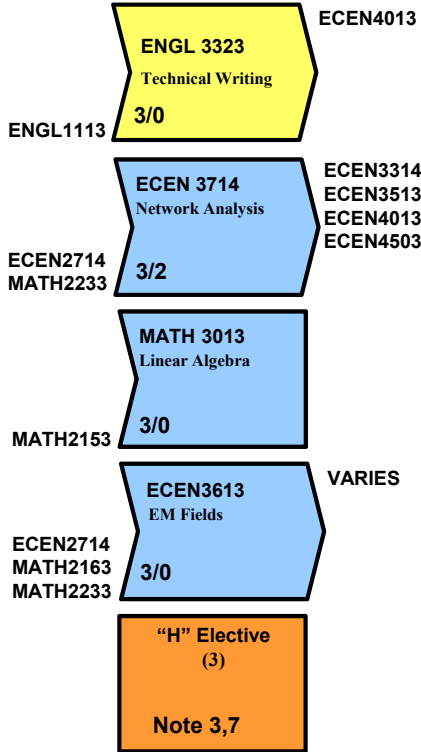
Suggested Course Plan

The anticipation at OSU and most institutions of higher education is that for one semester credit hour (SCH) the student spends one hour per week in lecture (two for lab courses) and two hours studying outside of class (one for lab courses). A three credit hour class requires, on average, about nine hours per week. This study plan is recommended for students who will devote full time to university studies and do not have excessive extracurricular activities or other obligations.

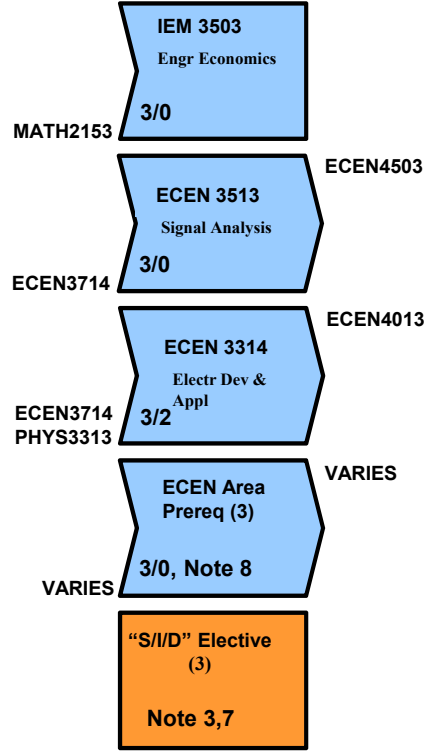
Electrical Engineering Course Plan (EE) Professional School

2017-2018

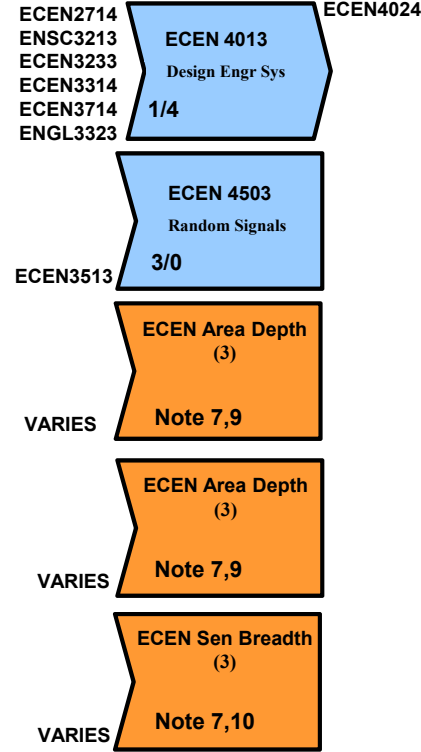
Semester 5 16 Credit Hours



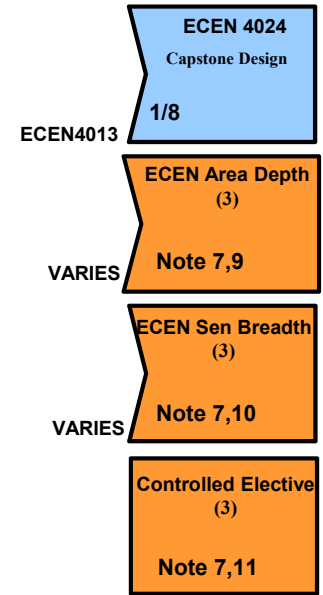
Semester 6 16 Credit Hours



Semester 7 15 Credit Hours



Semester 8 13 Credit Hours



Professional School Entry Requirements:

- Completion of at least 60 college level semester credit hours (SCH).
- Completion of at least 12 SCH from OSU.
- Completion of MATH 2144, 2153, 2163, 2233; PHYS 2014 and 2114; CHEM 1414; ENGR 1111; ENSC 2113, 3213; ECEN 2714, 3233; ENGL 1113 or 1313; CS 1113, 2133 or 2433.
- A grade of "C" or better in each of those courses listed above.
- GPA Requirements for Professional School: Technical GPA: 2.70, OSU GPA: 2.60, OSU Technical GPA: 2.70.

•**This flowchart is only an advising instrument.** When conflicts occur, the official 2017-2018 Degree Requirement Sheet takes precedence. Always check for the most current version of this flowchart.

•**Admission to Professional School is required to take upper level ECEN-prefix courses.** Please refer to the OSU Catalog corresponding to your matriculation date for detailed admission requirements.

