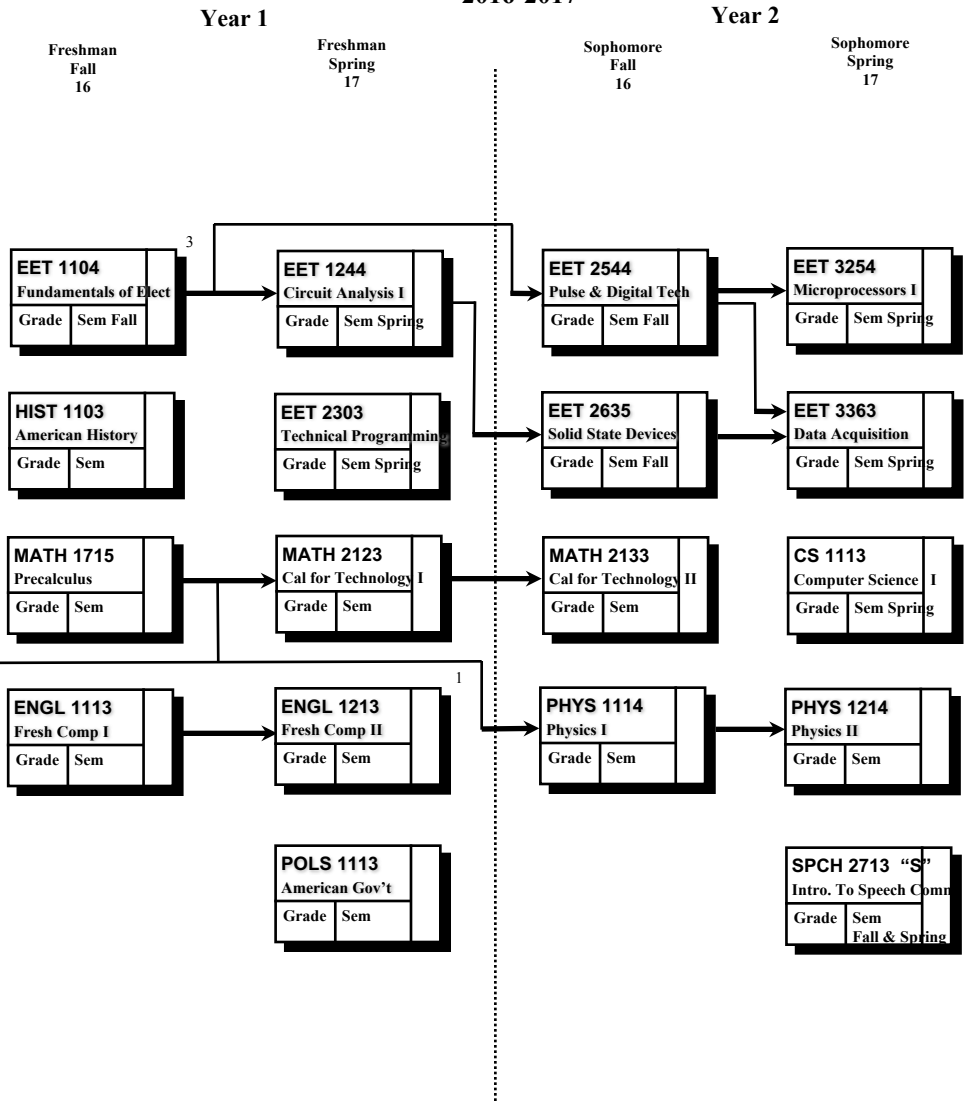
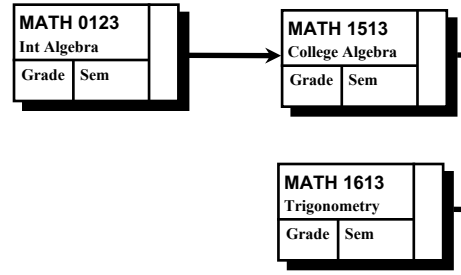


Name: \_\_\_\_\_

Advisor: \_\_\_\_\_

**Preparatory Courses**



1. Students with less than a "B" in ENGL 1113 or 1313 must take ENGL 1213 or 1413; and may not choose ENGL 3323 as a substitution for 1213...  
 2. At least 6 hours designated (H) and at least 6 hours designated (S). Of these, 3 hrs must meet the International Dimension "I" and Diversity :D" requirement.  
 3. See the OSU Catalog for prerequisites to specific EET Electives.

**College/Departmental Requirements Electrical Engineering Technology.**

- **OPTIONS: Computer**
    - A minimum of 40 hours must be upper division.
    - A grade of "C" or better is required in each course that is a prerequisite to a required course, or has an EET prefix.
    - A minimum overall 2.00 GPA is required in all courses with CHEM, MATH or PHYS prefixes.
    - Students will be held responsible for degree requirements in effect at the time of matriculation (date at first enrollment) & any changes that are made, so long as these changes do not result in semester credit hours being added or do not delay graduation.
    - For further information, contact the School or the Office of the Dean of Engineering and Technology.
    - A flexible study plan is designed to meet each student's individual goals.
- NOTE:** This flow chart is for planning purposes only. Students will be held responsible for degree requirements in effect at the time of matriculation (date at first enrollment) & any changes that are made, so long as these changes do not result in semester credit hours being added or do not delay graduation. (Academic Regulation 3.2)

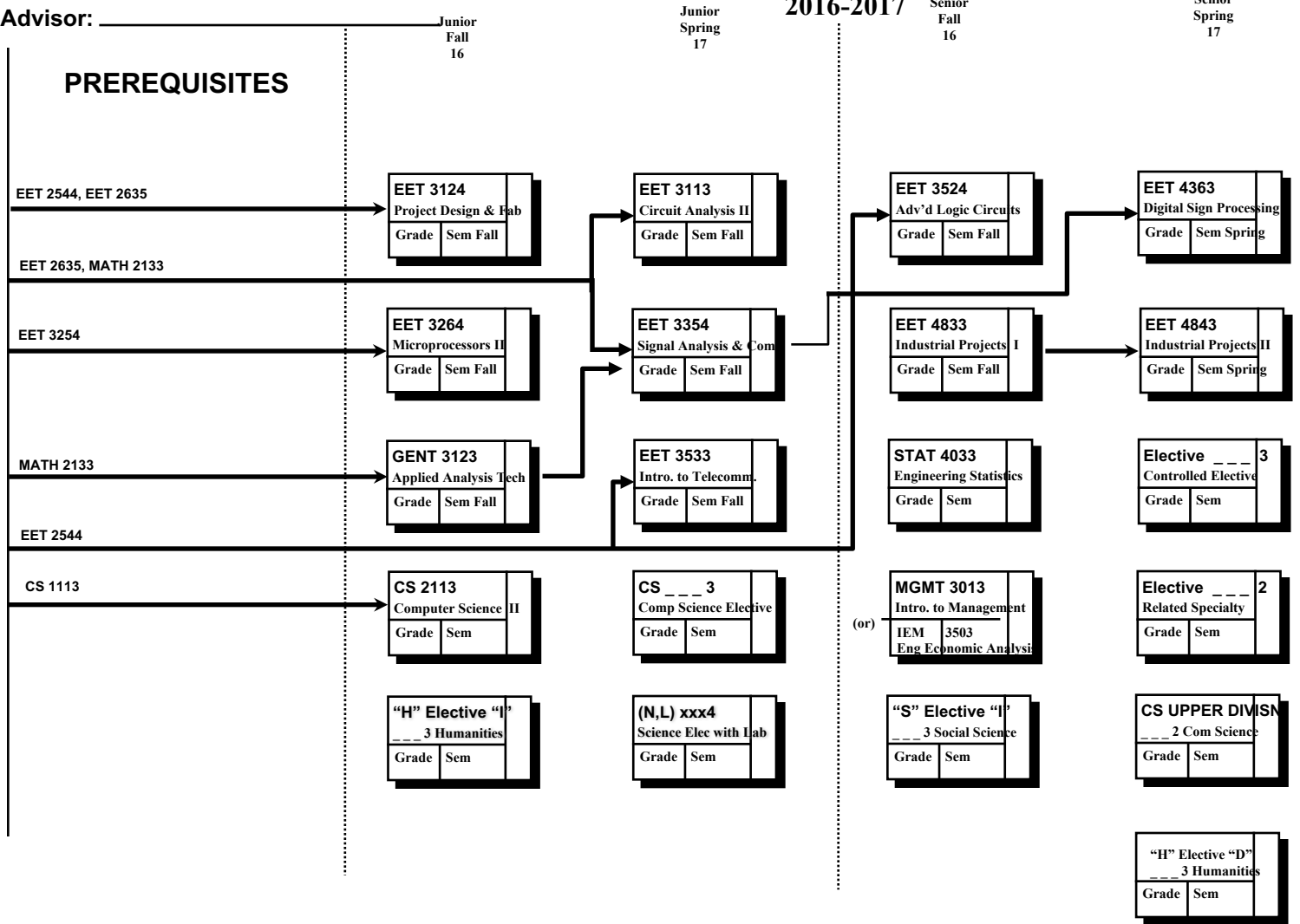
# ELECTRICAL ENGINEERING TECHNOLOGY COMPUTER Option

## Computer Option ELECTRICAL ENGINEERING TECHNOLOGY Year 3      130 Semester Hours      Year 4

Oklahoma State University  
College of Engineering, Architecture & Technology

Name: \_\_\_\_\_

Advisor: \_\_\_\_\_



**Other Requirements:**  
**Electrical Engineering Technology.**  
**•OPTIONS: Computer**

•A minimum of 40 hours must be upper division.

**Pre-Engineering 23 Hours:**  
•**Electronics 23hrs:** CS 1113, EET 1104, 1244, 2303, 2544, 2635.

**Major Requirements 59 Hours:**  
•**1). Electronics 35hrs.** EET 3113, 3124, 3254, EET 3264, 3354, 3363, EET 3524, 3533, 4363, 4833.

•**2). Related Specialty 12hrs.** GENT 3123, MGMT 3013 or IEM 3503, STAT 4033, and 3 hours from: MET 2103, 3003, ECEN 3513, 3613, 3723, 4503, EET 4314, 4654 GENT 2323, 3323, 3433, IEM 3513  
MATH 2233, 3013, Any ENSC except ENSC 2613.

•**3). Computer Science 9hrs.** CS 2133, 2351 Specialty and 5 hours upper-division CS.

**Controlled Electives 3 Hours:**  
•**4). 3 hours from:** Foreign Language, Speech, any course from the Spears School of Business, any course designated (H) or (D) or (I).

•Related Specialty courses (including lower-division courses) must be selected such that three sequences of two or more courses have a prerequisite structure.

•A minimum 2.00 GPA is required over all courses with an Engineering Technology (or Engineering) prefix.