

## Semester 1 15 Credit Hours

CS 1113  
Comp. Science I  
2/2

CS2133  
CS2351  
ENSC3213  
ECEN4213

ENGR 1111  
Intro to Engr  
1/1

MATH 2144  
Calculus I  
4/0

MATH2153

CHEM 1414  
Gen Chemistry  
3/2, Note 1

ENGL 1113  
Freshman Comp I  
3/0, Note 2

ENGL3323

Course Number  
Course Name  
Lecture/Lab  
See Note #

Must pass to take  
these courses

Prerequisites\*

\*Only the last prerequisite in a sequence is listed. All earlier prerequisites must also be satisfied before taking the course.

OSU Requirement

CEAT Requirement

ECE Requirement

Elective

## Semester 2 16 Credit Hours

CS 2133  
Comp. Science II  
3/0

CS4343

CS1113

ENGR 13x2  
Engr Design/CAD  
1/2

PHYS 2014  
General Physics I  
3/2, Note 5

PHYS2114

MATH 2153  
Calculus II  
3/0

MATH2233  
MATH3013  
ENSC2613  
MATH2163  
IEM3503

MATH2144

POLS 1113  
American Gov't  
3/0

CS 2351  
UNIX Prog  
1/0

CS1113

## Semester 3 16 Credit Hours

ECEN 3233  
Digital Logic Des  
2/2

ECEN4213  
ECEN4243  
ECEN4013  
ECEN4303

PHYS 2114  
General Physics II  
3/2, Note 5

PHYS2014

PHYS3313  
ENSC2613  
ECEN2011

MATH 2233  
Diff Equations  
3/0

MATH2153

ECEN3714  
ECEN3613

MATH 2163  
Calculus III  
3/0

MATH2153

ECEN3613

HIST 1103  
American History  
3/0

## Semester 4 16 Credit Hours

CS 3653  
Discrete Math  
3/0

CS4323  
CS4343

MATH2144

PHYS 3313  
Intro Device Physics  
3/0

ECEN3314

PHYS2114

ECEN 2011  
Exp Methods I  
0/2, Note 8

ECEN3314  
ECEN3714  
ECEN4013

PHYS2114

ENSC 2613  
Electrical Science  
3/0, Note 8

ECEN3714  
ECEN3613

PHYS2114  
MATH2153

ENSC 3213  
Comp Based Systems  
2/2

ECEN4013  
ECEN4243  
ECEN4213  
CS4323

CS1113

"S/I/D" Elective  
(3)  
Note 3,7

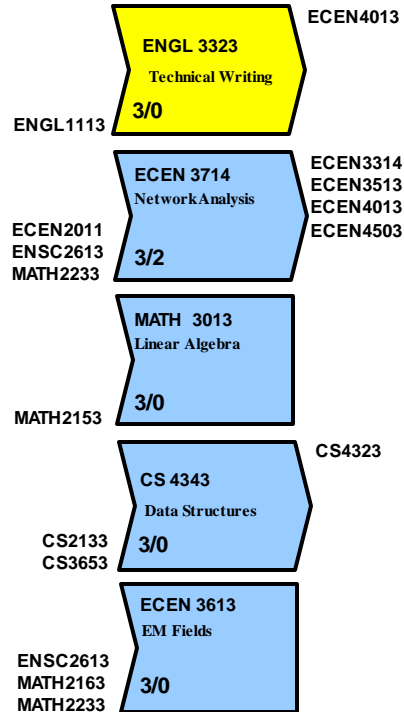
### NOTES:

- 1) Chemistry 1515 may be substituted for CHEM 1414 and should be taken by all students considering medical school.
- 2) Students with less than a "B" in ENGL 1113 or 1313 must take ENGL 1213 or 1413 prior to ENGL 3323.
- 3) A total of at least 6 hours designated "H" and 6 hours designated "S" are required. Of these, 3 hrs must meet the International Dimension "I" component and 3 hrs must meet the Diversity "D" component.
- 4) (blank)
- 5) General Physics I and II are key prerequisites and should be taken at the earliest possible time.
- 6) Must be approved by ECE advisor.
- 7) Must be at least 3 SCH.
- 8) The line indicates this course has a co-requisite and must be taken together.
- 9) (blank)

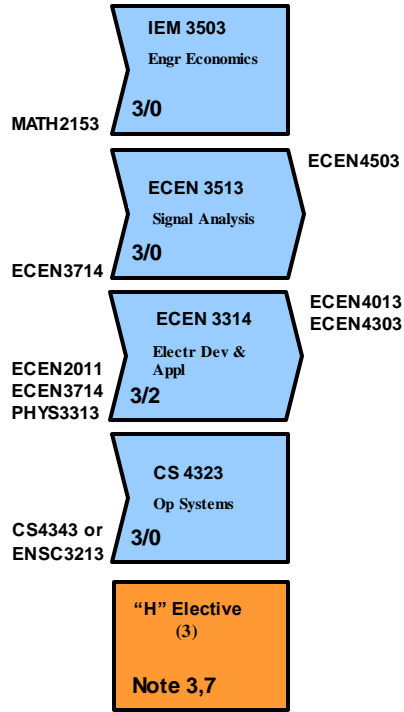
### Suggested Course Plan

The anticipation at OSU and most institutions of higher education is that for one semester credit hour (SCH) the student spends one hour per week in lecture (two for lab courses) and two hours studying outside of class (one for lab courses). A three credit hour class requires, on average, about nine hours per week. This study plan is recommended for students who will devote full time to university studies and do not have excessive extracurricular activities or other obligations.

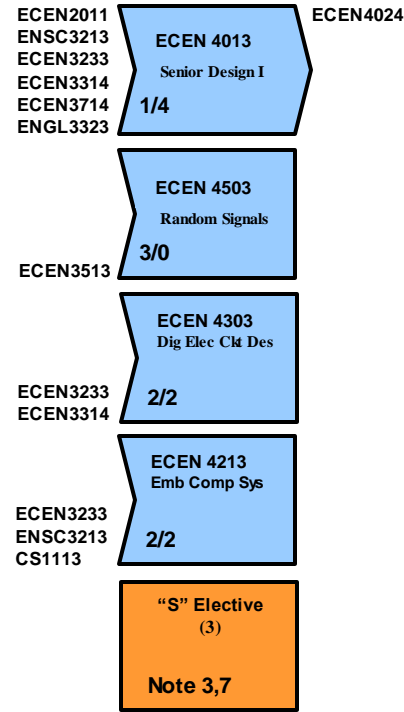
## Semester 5 16 Credit Hours



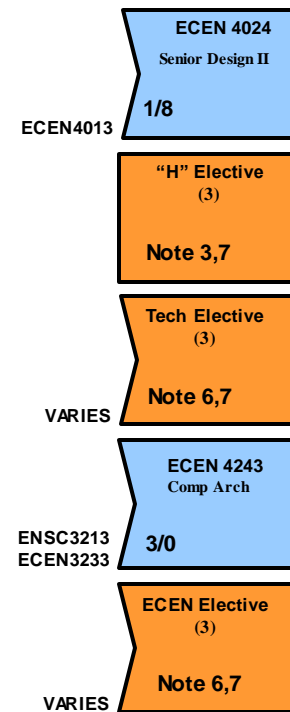
## Semester 6 16 Credit Hours



## Semester 7 15 Credit Hours



## Semester 8 16 Credit Hours



### Professional School Entry Requirements:

- Completion of at least 60 college level semester credit hours (SCH).
- Completion of at least 12 SCH from OSU.
- Completion of MATH 2144, 2153, 2163, 2233; PHYS 2014 and 2114; CHEM 1414; ENGR 1111, 1342; ENSC 2613, 3213; ECEN 2011, 3233; ENGL 1113 or 1313; CS 1113, 2133, 2351.
- A grade of "C" or better in each of those courses listed above.
- An overall GPA of 2.6 or better at OSU.
- A GPA of 2.7, or better, in all of the college-level math, science and engineering courses required for the B.S. in Electrical/Computer Engineering.

• This flowchart is only an advising instrument. When conflicts occur, the official 2015-2016 Degree Requirement Sheet takes precedence. Always check for the most current version of this flowchart.

• Admission to Professional School is required to take upper level ECEN-prefix courses. Please refer to the OSU Catalog corresponding to your matriculation date for detailed admission requirements.

