

Semester 1 15 Credit Hours

CS 1113
Comp. Science I
2/2

CS2133
CS2351
ENSC3213
ECEN4213

ENGR 1111
Intro to Engr
1/1

MATH 2144
Calculus I
4/0

MATH2153

CHEM 1414
Gen Chemistry
3/2, Note 1

ENGL 1113
Freshman Comp I
3/0, Note 2

ENGL3323

Semester 2 16 Credit Hours

CS 2133
Comp. Science II
3/0

CS4343

CS1113

ENGR 13x2
Engr Design/CAD
1/2

PHYS 2014
General Physics I
3/2, Note 5

PHYS2114

MATH 2153
Calculus II
3/0

MATH2144

MATH2233
MATH3013
ENSC2613
MATH2163
IEM3503

POLS 1113
American Gov't
3/0

CS 2351
UNIX Prog
1/0

CS1113

Semester 3 16 Credit Hours

ECEN 3233
Digital Logic Des
2/2

ECEN4213
ECEN4243
ECEN4013
ECEN4303

PHYS 2114
General Physics II
3/2, Note 5

PHYS2014

PHYS3313
ENSC2613
ECEN2011

MATH 2233
Diff Equations
3/0

MATH2153

ECEN3714
ECEN3613

MATH 2163
Calculus III
3/0

MATH2153

ECEN3613

HIST 1103
American History
3/0

Semester 4 16 Credit Hours

CS 3653
Discrete Math
3/0

CS4323
CS4343

MATH2144

PHYS 3313
Intro Device Physics
3/0

ECEN3314

PHYS2114

ECEN 2011
Exp Methods I
0/2, Note 8

PHYS2114

ECEN3314
ECEN3714
ECEN4013

ENSC 2613
Electrical Science
3/0, Note 8

PHYS2114
MATH2153

ECEN3714
ECEN3613

ENSC 3213
Comp Based Systems
2/2

CS1113

ECEN4013
ECEN4243
ECEN4213
CS4323

"S/I/D" Elective
(3)
Note 3,7

Course Number
Course Name
Lecture/Lab
See Note #

Must pass to take
these courses

Prerequisites*

*Only the last prerequisite in a sequence is listed. All earlier prerequisites must also be satisfied before taking the course.

OSU Requirement

CEAT Requirement

ECE Requirement

Elective

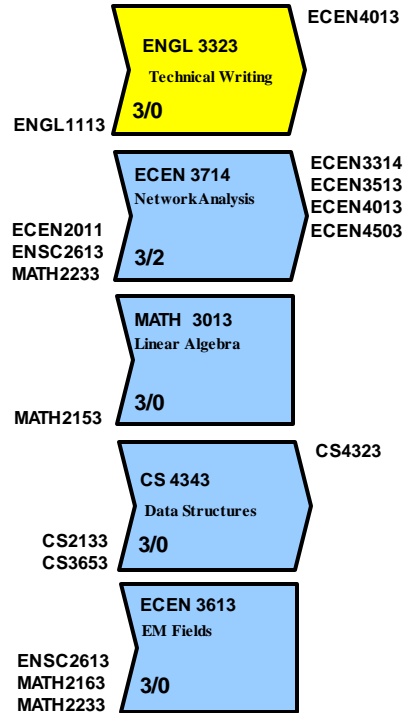
NOTES:

- 1) Chemistry 1515 may be substituted for CHEM 1414 and should be taken by all students considering medical school.
- 2) Students with less than a "B" in ENGL 1113 or 1313 must take ENGL 1213 or 1413 prior to ENGL 3323.
- 3) A total of at least 6 hours designated "H" and 6 hours designated "S" are required. Of these, 3 hrs must meet the International Dimension "I" component and 3 hrs must meet the Diversity "D" component.
- 4) (blank)
- 5) General Physics I and II are key prerequisites and should be taken at the earliest possible time.
- 6) Must be approved by ECE advisor.
- 7) Must be at least 3 SCH.
- 8) The line indicates this course has a co-requisite and must be taken together.
- 9) (blank)

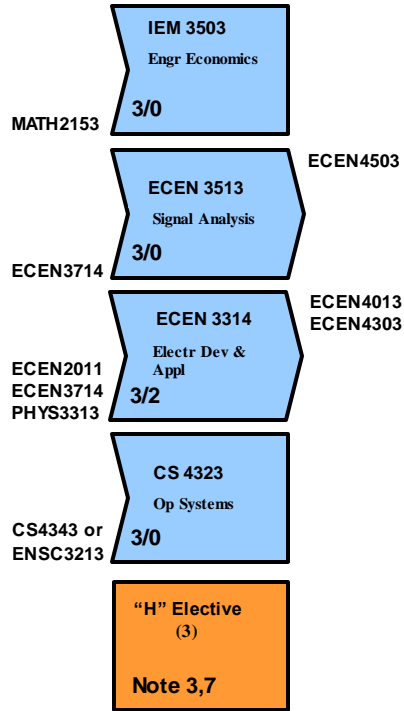
Suggested Course Plan

The anticipation at OSU and most institutions of higher education is that for one semester credit hour (SCH) the student spends one hour per week in lecture (two for lab courses) and two hours studying outside of class (one for lab courses). A three credit hour class requires, on average, about nine hours per week. This study plan is recommended for students who will devote full time to university studies and do not have excessive extracurricular activities or other obligations.

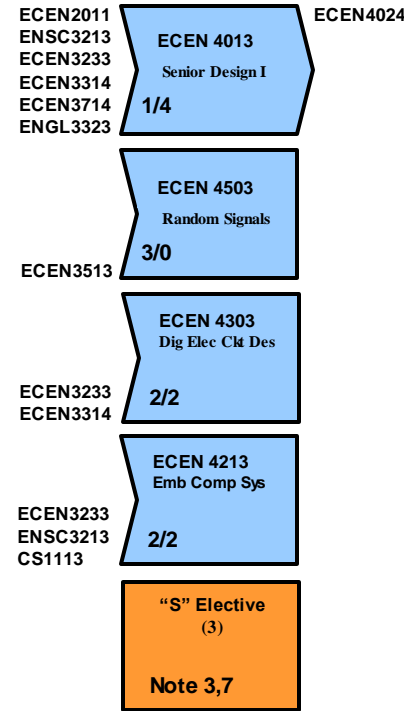
Semester 5 16 Credit Hours



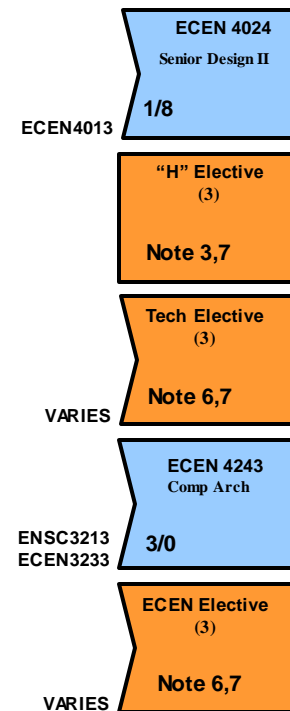
Semester 6 16 Credit Hours



Semester 7 15 Credit Hours



Semester 8 16 Credit Hours



Professional School Entry Requirements:

- Completion of at least 60 college level semester credit hours (SCH).
- Completion of at least 12 SCH from OSU.
- Completion of MATH 2144, 2153, 2163, 2233; PHYS 2014 and 2114; CHEM 1414; ENGR 1111, 1342; ENSC 2613, 3213; ECEN 2011, 3233; ENGL 1113 or 1313; CS 1113, 2133, 2351.
- A grade of "C" or better in each of those courses listed above.
- An overall GPA of 2.6 or better at OSU.
- A GPA of 2.7, or better, in all of the college-level math, science and engineering courses required for the B.S. in Electrical/Computer Engineering.

•This flowchart is only an advising instrument. When conflicts occur, the official 2014-2015 Degree Requirement Sheet takes precedence. Always check for the most current version of this flowchart.

•Admission to Professional School is required to take upper level ECEN-prefix courses. Please refer to the OSU Catalog corresponding to your matriculation date for detailed admission requirements.

